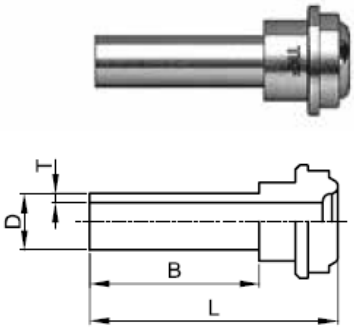


FEMALE GLAND



| Tube Size | Head Size | Ordering Number | D | T | B | L | ANS (Inch) |
|-----------|-----------|-----------------|-------|------|-------|-------|------------|
| 1/8" | 1/8" | □2SG19 | 3.18 | 0.70 | 19.05 | 27.40 | 1/8 |
| 1/4" | 1/4" | □4SG6 | 6.35 | 1.00 | 6.35 | 15.24 | 1/4 |
| 1/4" | 1/4" | □4SG10 | 6.35 | 1.00 | 10.00 | 18.89 | 1/4 |
| 1/4" | 1/4" | □4SG19 | 6.35 | 1.00 | 19.05 | 27.94 | 1/4 |
| 3/8" | 1/2" | □6SG6 | 9.53 | 1.00 | 6.35 | 15.75 | 1/2 |
| 3/8" | 1/2" | □6SG10 | 9.53 | 1.00 | 10.00 | 19.40 | 1/2 |
| 3/8" | 1/2" | □6SG19 | 9.53 | 1.00 | 19.05 | 28.45 | 1/2 |
| 1/2" | 1/2" | □8SG6 | 12.70 | 1.24 | 6.35 | 15.75 | 1/2 |
| 1/2" | 1/2" | □8SG10 | 12.70 | 1.24 | 10.00 | 19.40 | 1/2 |
| 1/2" | 1/2" | □8SG19 | 12.70 | 1.24 | 19.05 | 28.45 | 1/2 |
| 3/4" | 3/4" | □12SG19 | 19.05 | 1.65 | 19.05 | 34.50 | 3/4 |
| 1" | 1" | □16SG19 | 25.40 | 1.65 | 19.05 | 38.60 | 1 |
| 1/4" | 1/2" | □8 x 4SG6 | 6.35 | 1.00 | 6.35 | 15.75 | 1/2 |
| 1/4" | 1/2" | □8 x 4SG10 | 6.35 | 1.00 | 10.00 | 19.40 | 1/2 |
| 1/4" | 1/2" | □8 x 4SG19 | 6.35 | 1.00 | 19.05 | 28.45 | 1/2 |

ANS : AVAILABLE NUT SIZE