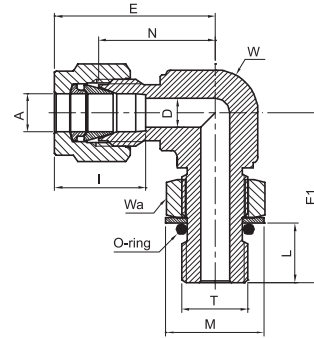
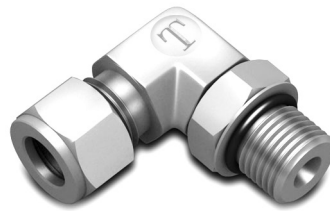


MALE 90° ELBOW

TME



TUBE TO SAE/MS STRAIGHT THREAD BOSS (POSITIONABLE)*																						
Part Number	A Tube O.D.		T SAE/MS	D		W Wrench flat		Wa Hex. flat		N		E		E1		L		M		I		O-ring**
	in	mm	in	in	mm	in	mm	in	mm	in	mm	in	mm	in	mm	in	mm	in	mm	in	mm	Dash no.
TME - 4 - 4ST	1/4	6.35	7/16-20	0.19	4.8	1/2	12.7	9/16	14.3	0.83	21.1	1.12	28.45	1.12	28.45	0.39	9.9	0.65	16.5	0.6	15.3	-904
TME - 4 - 6ST	1/4	6.35	9/16-18	0.19	4.8	5/8	15.9	11/16	17.5	0.91	23.11	1.2	30.48	1.27	32.26	0.44	11.2	0.79	20.1	0.6	15.3	-906
TME - 5 - 5ST	5/16	7.93	1/2-20	0.25	6.35	9/16	14.3	5/8	15.9	0.9	22.86	1.19	30.22	1.16	29.46	0.39	9.9	0.72	18.28	0.64	16.2	-905
TME - 6 - 6ST	3/8	9.52	9/16-18	0.28	7.1	5/8	15.9	11/16	17.5	0.97	24.64	1.26	32.0	1.27	32.26	0.44	11.2	0.79	20.1	0.66	16.9	-906
TME - 6 - 8ST	3/8	9.52	3/4-16	0.28	7.1	13/16	20.6	7/8	22.2	1.07	27.43	1.37	34.8	1.49	37.84	0.5	12.7	1.01	25.65	0.66	16.9	-908
TME - 8 - 8ST	1/2	12.7	3/4-16	0.41	10.41	13/16	20.6	7/8	22.2	1.07	27.43	1.48	37.6	1.49	37.84	0.5	12.7	1.01	25.65	0.9	22.9	-908
TME - 10 - 10ST	5/8	15.87	7/8-14	0.5	12.7	1	25.4	1	25.4	1.16	29.46	1.56	39.62	1.7	43.43	0.56	14.2	1.16	29.46	0.96	24.4	-910
TME - 12 - 12ST	3/4	19.05	1-1/16-12	0.62	15.74	1-1/16	27	1-1/4	31.75	1.22	31.24	1.63	41.4	1.91	48.76	0.65	16.7	1.45	36.6	1.0	24.5	-912
TME - 14 - 14ST	7/8	22.22	1-3/16-12	0.72	18.28	1-1/4	31.75	1-3/8	34.9	1.3	33.02	1.7	43.18	1.99	50.54	0.65	16.7	1.59	40.4	1.02	25.9	-914
TME - 16 - 16ST	1	25.4	1-5/16-12	0.88	22.35	1-3/8	34.9	1-1/2	38.1	1.5	38.35	1.98	50.54	2.1	53.6	0.65	16.7	1.72	43.94	1.22	31.2	-916

TUBE (INCH) TO ISO PARALLEL THREAD (POSITIONABLE)*																						
Part Number	A Tube O.D.		T ISO	D		W Wrench flat		Wa Hex. flat		N		E		E1		L		M		I		O-ring** I.D.
	in	mm	in	in	mm	in	mm	in	mm	in	mm	in	mm	in	mm	in	mm	in	mm	in	mm	Dash no.
TME - 4 - 2PR	1/4	6.35	1/8-28 BSPP	0.1	4.0	1/2	12.7	9/16	14.3	0.77	19.6	1.06	26.9	1.04	26.4	0.32	8.1	0.68	17.3	0.60	15.3	8.0
TME - 4 - 4PR	1/4	6.35	1/4-19 BSPP	0.19	4.8	5/8	15.9	3/4	19.0	0.85	21.6	1.14	28.9	1.27	32.2	0.36	9.1	0.90	22.9	0.60	15.3	-
TME - 6 - 4PR	3/8	9.52	1/4-19 BSPP	0.23	5.9	5/8	15.9	3/4	19.0	0.91	23.1	1.20	30.5	1.27	32.2	0.36	9.1	0.90	22.9	0.66	16.9	-

TUBE (METRIC) TO ISO PARALLEL THREAD (POSITIONABLE)																						
Part Number	A Tube O.D.		T ISO	D		W Wrench flat		Wa Hex. flat		N		E		E1		L		M		I		O-ring** I.D.
	mm	mm	in	mm	mm	in	mm	in	mm	mm	mm	mm	mm	mm	mm	mm	mm	mm	mm	mm	mm	Dash no.
TME - 6M - 2PR	6	6	1/8-28 BSPP	4.0	4.0	1/2	12.7	9/16	14.3	19.6	19.6	27.0	26.4	26.4	8.1	8.1	17.3	17.3	15.3	15.3	8.0	8.0
TME - 8M - 2PR	8	8	1/8-28 BSPP	4.0	4.0	5/8	15.9	9/16	14.3	21.3	21.3	28.8	27.4	27.4	8.1	8.1	17.3	17.3	16.2	16.2	8.0	8.0
TME - 8M - 4PR	8	8	1/4-19 BSPP	5.9	5.9	5/8	15.9	3/4	19.0	22.4	22.4	29.9	32.2	32.2	9.1	9.1	22.9	22.9	16.9	16.9	-	-

"D" - Dimension is minimum opening - dimensions are for reference only, and are subject to change without notice.

* SAE J 1926 and MS 16142. See page 61 for mounting dimensions.

** O-Rings used are Vitor® 90 Durometer. Other O-Ring materials are available on request.