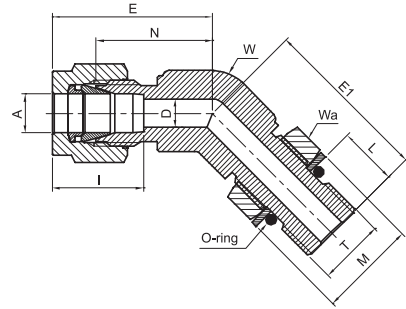


MALE 45° ELBOW

TMHE



TUBE TO SAE/MS STRAIGHT THREAD BOSS (POSITIONABLE)*																						
Part Number	A Tube O.D.		T SAE/MS	D		W Wrench flat		Wa Hex. flat		N		E		E1		L		M		I		O-ring**
	in	mm	in	in	mm	in	mm	in	mm	in	mm	in	mm	in	mm	in	mm	in	mm	in	mm	Dash no.
TMHE - 4 - 4ST	1/4	6.35	7/16-20	0.19	4.8	1/2	12.7	9/16	14.3	0.72	18.29	1.01	25.65	1.01	25.65	0.39	9.9	0.65	16.5	0.6	15.3	-904
TMHE - 6 - 6ST	3/8	9.52	9/16-18	0.28	7.1	5/8	15.9	11/16	17.5	0.81	20.06	1.1	28.0	1.06	28.2	0.44	11.2	0.79	20.1	0.66	16.9	-906
TMHE - 8 - 8ST	1/2	12.7	3/4-16	0.41	10.41	13/16	20.6	7/8	22.2	0.86	21.84	1.26	32.0	1.27	32.25	0.5	12.7	1.01	25.65	0.9	22.9	-908
TMHE - 12 - 12ST	3/4	19.05	1-1/16-12	0.62	15.74	1-1/16	27.0	1-1/4	31.75	1.17	29.7	1.57	39.87	1.86	47.24	0.65	16.7	1.45	36.6	0.96	24.4	-910
TMHE - 16 - 16ST	1	25.4	1-5/16-12	0.88	22.35	1-3/8	34.9	1-1/2	38.1	1.39	35.3	1.87	47.5	1.97	50.24	0.65	16.7	1.72	43.94	1.0	24.5	-912

TUBE (INCH) TO ISO PARALLEL THREAD (POSITIONABLE)*																						
Part Number	A Tube O.D.		T ISO	D		W Wrench flat		Wa Hex. flat		N		E		E1		L		M		I		O-ring** I.D.
	in	mm	in	in	mm	in	mm	in	mm	in	mm	in	mm	in	mm	in	mm	in	mm	in	mm	Dash no.
TMHE - 4 - 2PR	1/4	6.35	1/8-28 BSPP	0.16	4.0	9/16	14.3	9/16	14.3	0.69	17.5	0.98	24.9	0.94	24.0	0.32	8.1	0.68	17.3	0.60	15.3	8.0

TUBE (METRIC) TO ISO PARALLEL THREAD (POSITIONABLE)																						
Part Number	A Tube O.D.		T ISO	D		W Wrench flat		Wa Hex. flat		N		E		E1		L		M		I		O-ring** I.D.
	mm	in	in	mm	in	mm	in	mm	in	mm	mm	mm	mm	mm	mm	mm	mm	mm	mm	mm	mm	Dash no.
TMHE - 6 - 2PR	6	1/8-28 BSPP	4.0	9/16	14.3	9/16	14.3	17.55	24.9	24.0	8.1	17.3	15.3	8.0								

"D" - Dimension is minimum opening - dimensions are for reference only, and are subject to change without notice.
 * ISO PARALLEL THREAD FOR BS-2779. See page 64 for mounting dimensions.
 ** O-Rings used are Viton® 90 Durometer. Other O-Ring materials are available on request.